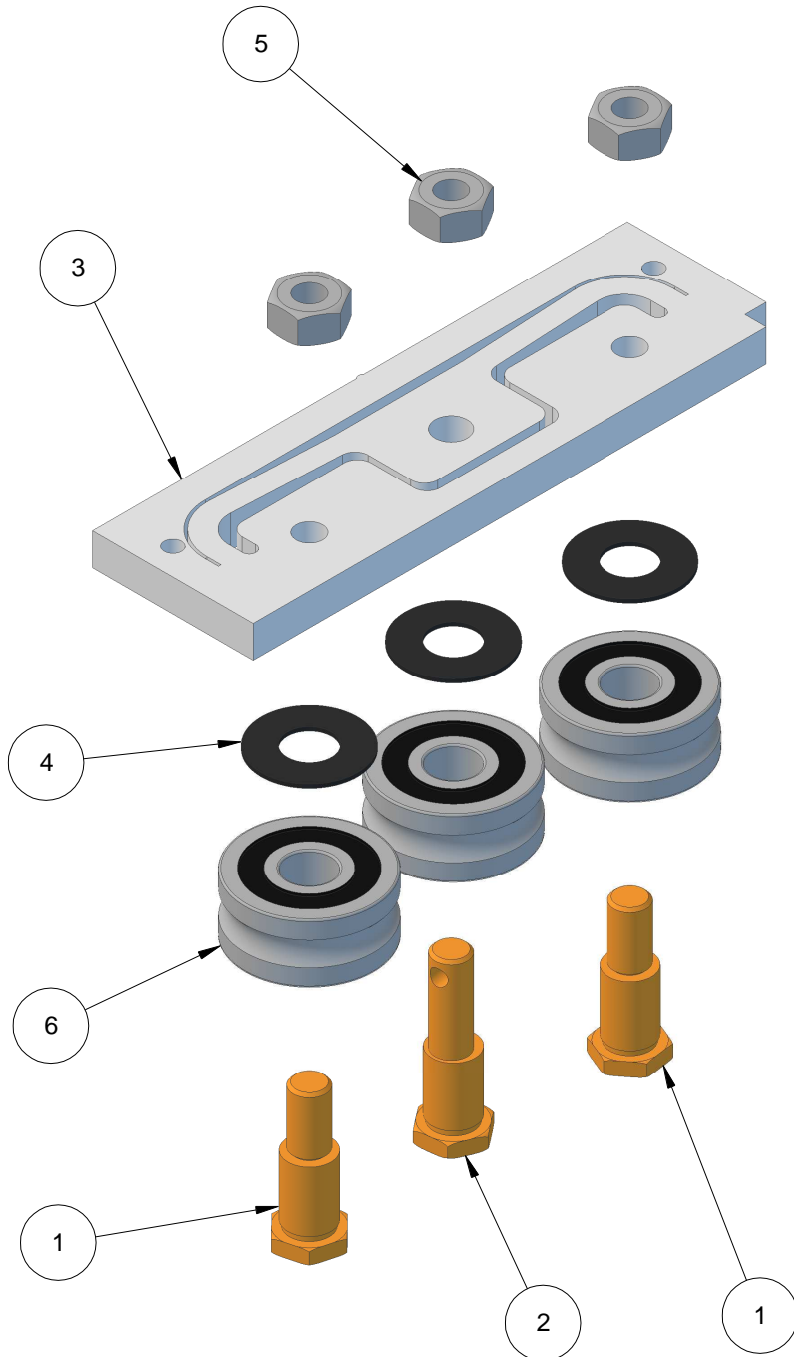
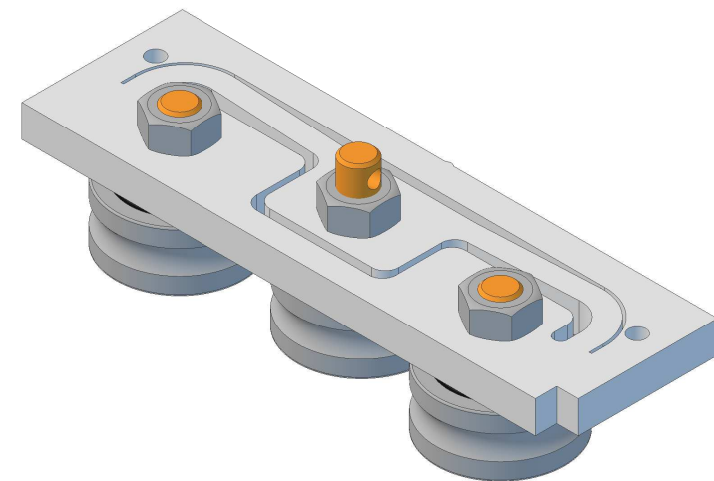


Item	Qty	Part Name	Description	Comment
1	1	KU21-118	Futura Start of Cut Rod	
2	1	KU21-112	Slideblock	
3	2	KU21-109	Blade Holder Shaft	
4	1	KU21-004	Bevel Blade Holder Assy	
5	1	KU21-003	Vertical Blade Holder Assy	
6	1	KU21-002	Slideblock Base Assy	
7	2	CA30-211	Disc Spring	
8	2	CA30-187	Nyloc Nut	
9	2	CA30-133	Screw	
10	2	CA30-006	Screw	
11	1	CA25-411	Torsion Spring Right Hand	Trim one end
12	1	CA25-410	Torsion Spring Left Hand	Trim one end
13	1	CA25-409	Futura Start of Cut Scale	Part of label set
14	2	CA25-191	Thrust Bearing	
15	4	CA25-178	Thrust Washer	
16	2	CA25-052	Bearing	

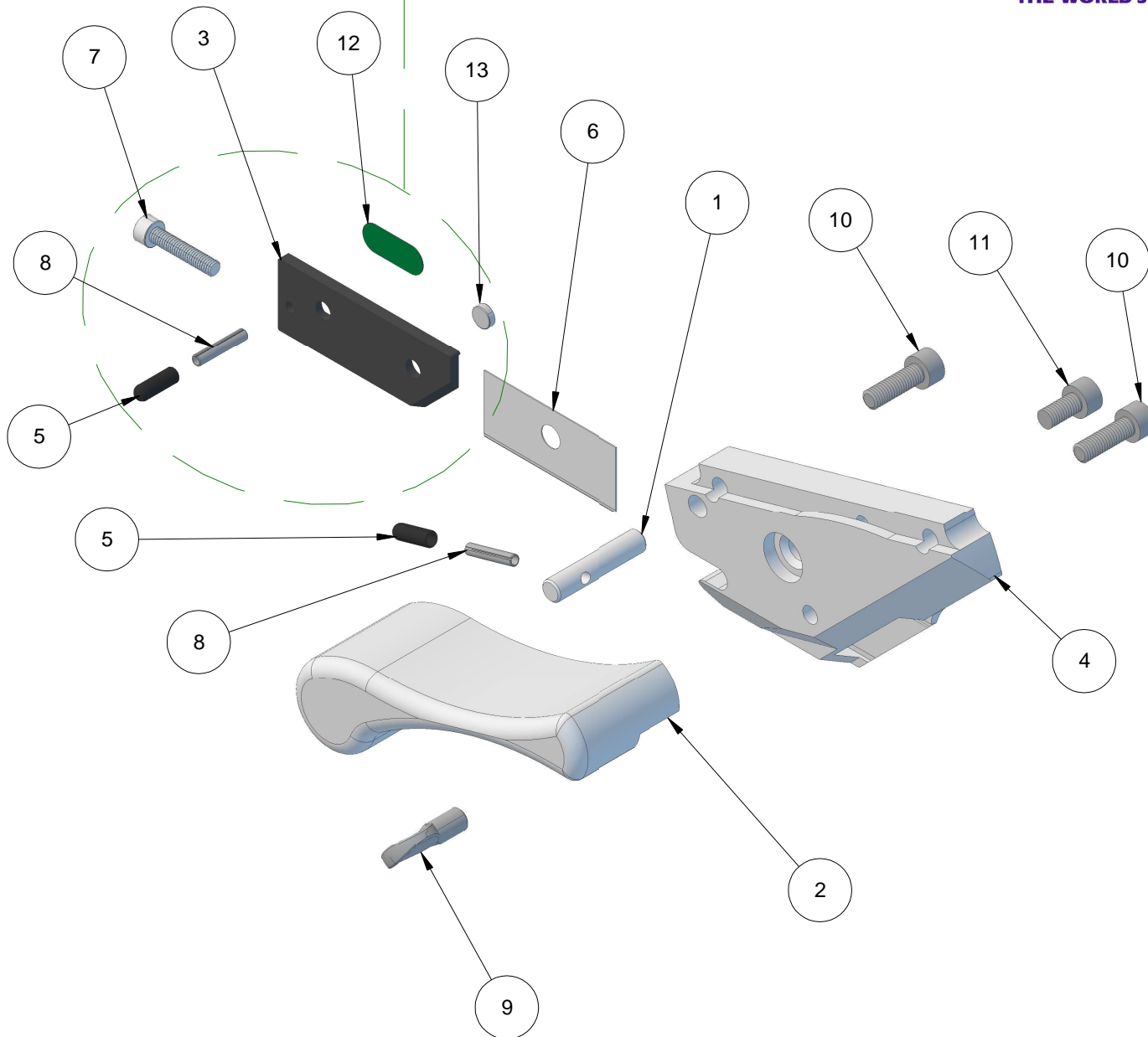


Item Number	Quantity	Part Name	Description	Comment
1	2	KU21-106	Shoulder Bolt	
2	1	KU21-105	Eccentric Bolt	
3	1	KU21-104	Slideblock Base Plate	
4	3	CA30-221	Disc Spring	Orientation important
5	3	CA30-057	Nut	
6	3	CA25-295	Track Roller	

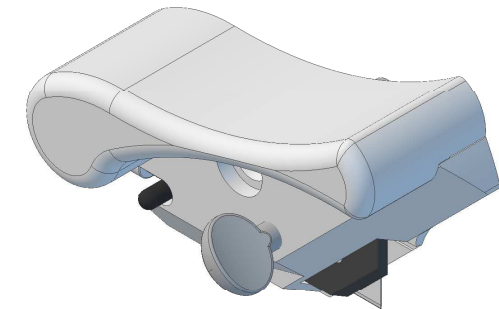
UNDER MOST CIRCUMSTANCES THIS ASSEMBLY SHOULD BE SOLD WHOLE



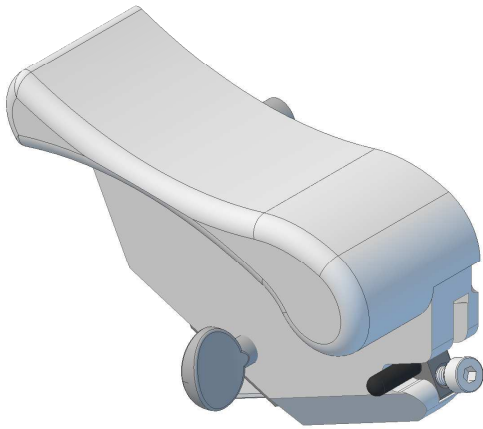
Blade Cartridge
Parts 3, 5, 7, 8, 12 & 13
available as code FVC



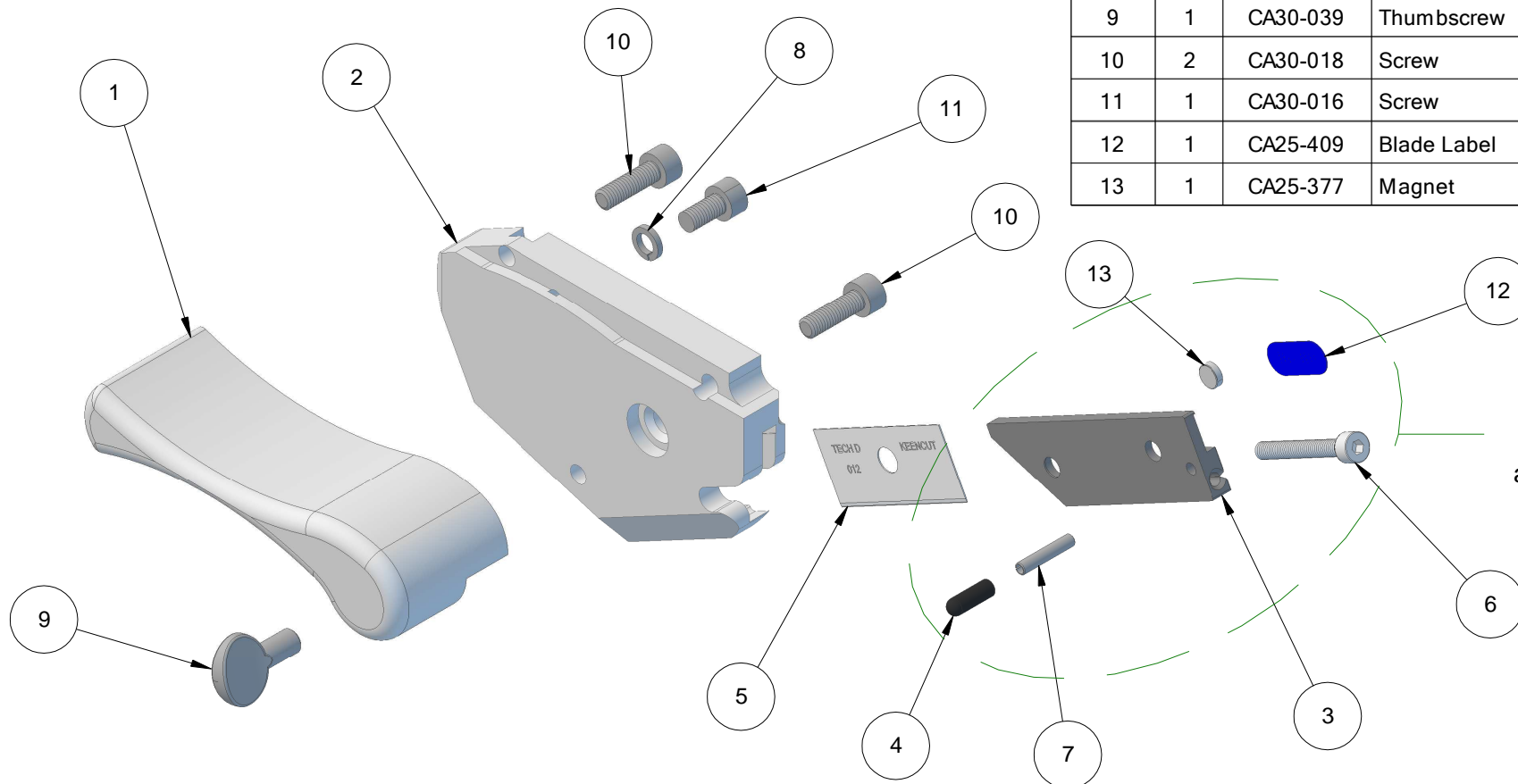
Item	Qty	Part Name	Description	Comment
1	1	KU21-120	Lock Pin	
2	1	KU21-102	Vertical Blade Holder Grip	
3	1	KU21-101	Vertical Blade Clamp Plate	
4	1	KU21-100	Vertical Blade Holder	
5	2	CA75-105	End Tip	
6	1	CA50-017	TECH D 012 Blade	Supplied box 100
7	1	CA30-327	Screw	
8	2	CA30-325	Pin	
9	1	CA30-039	Thumbscrew	
10	2	CA30-018	Screw	
11	1	CA30-016	Screw	
12	1	CA25-409	Blade Label	Part of label set
13	1	CA25-377	Magnet	



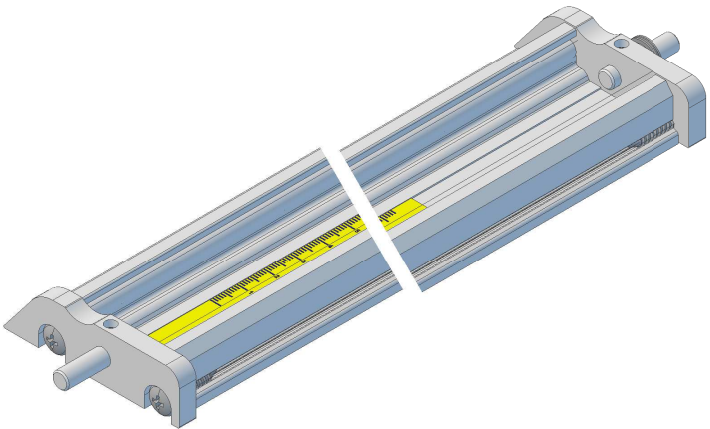
Bevel Blade Holder Assembly KU21-004



Item	Qty	Part Name	Description	Comment
1	1	KU21-108	Bevel Blade Holder Grip	
2	1	KU21-107	Bevel Blade Holder	
3	1	KU21-103	Bevel Clamp Plate	
4	1	CA75-105	End Tip	
5	1	CA50-017	TECH D 012 Blade	Supplied in box 100
6	1	CA30-340	Screw	
7	1	CA30-325	Pin	
8	1	CA30-170	Washer	
9	1	CA30-039	Thumbscrew	
10	2	CA30-018	Screw	
11	1	CA30-016	Screw	
12	1	CA25-409	Blade Label	Part of label set
13	1	CA25-377	Magnet	

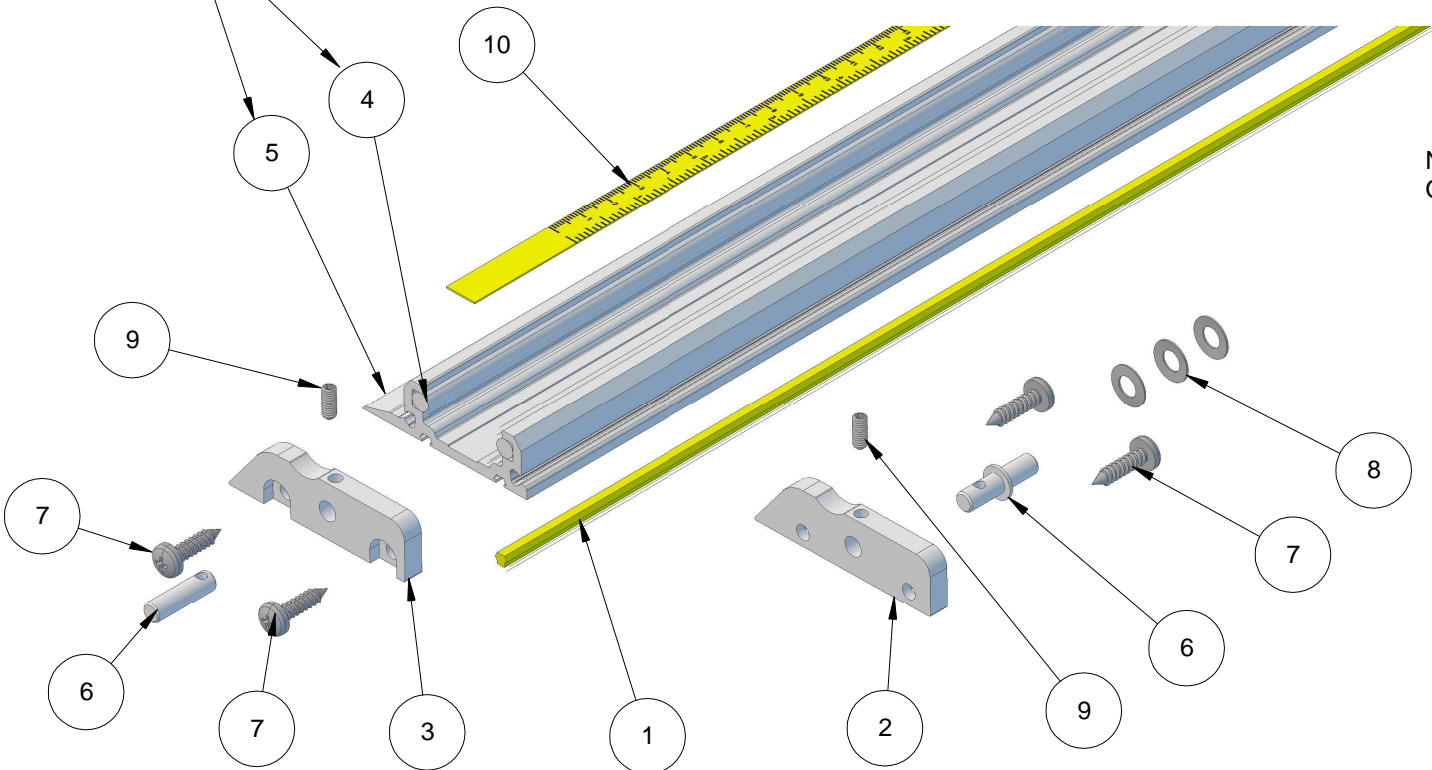


Bevel Blade Cartridge
Parts 3, 4, 6, 11, 12 & 13
available as part code FBC

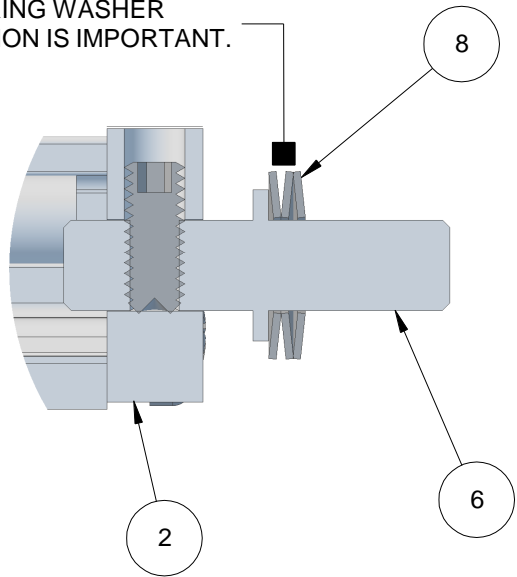


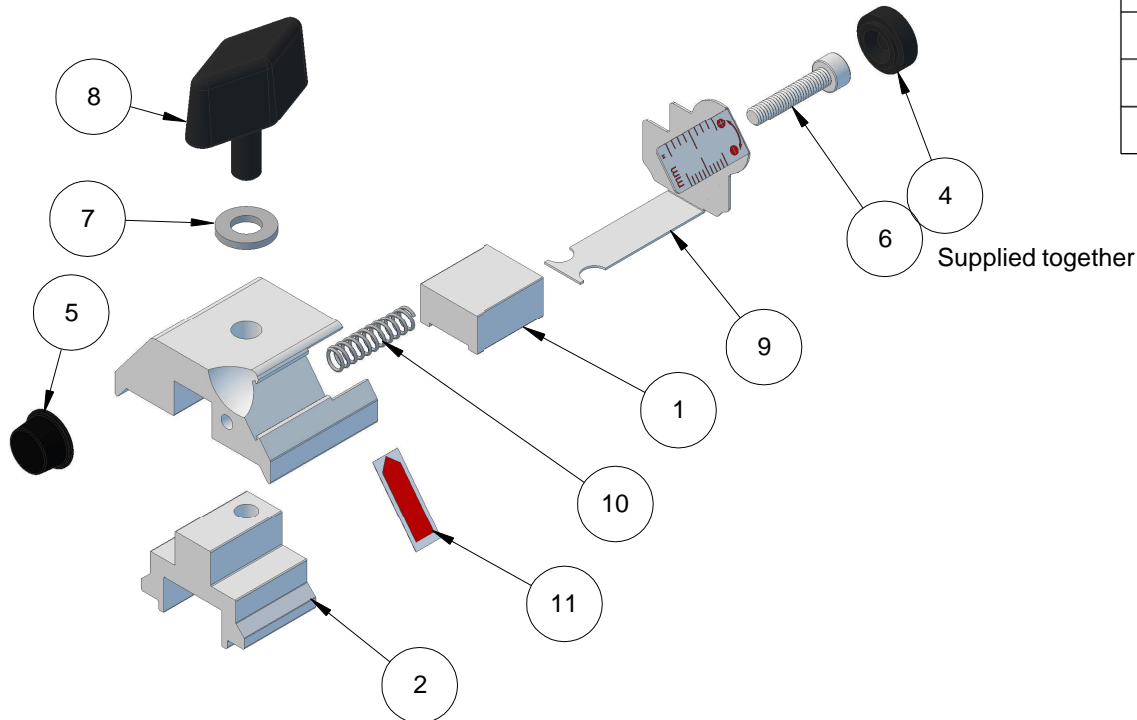
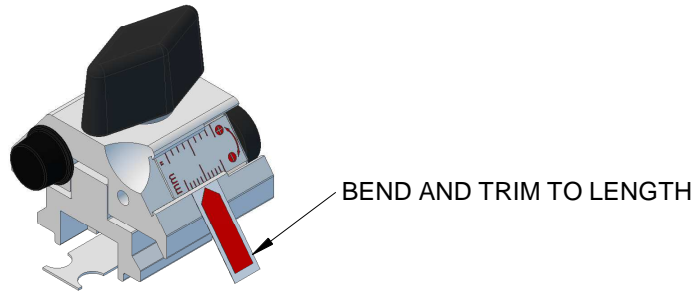
Item	Qty	Part Name	Part Number	Comment
1	1	SILYT	Grip Cord	10m length
2	1	KU21-111	Top Slideway Mount	
3	1	KU21-110	Bottom Slideway Mount	
4	2	KU2#-117	Guide Rod	#=1 for 100, 2 for 120, 3 for 150
5	1	KU2#-116	Futura Slideway	#=1 for 100, 2 for 120, 3 for 150
6	1	KU11-138	Flanged Pivot	
7	4	CA30-249	Screw	
8	3	CA30-211	Spring Washer	Orientation is important when assembled
9	2	CA30-131	Screw	
10	1	CA25-409	Finish of Cut Scale	Part of label set

Items 4(x2) & 5 can only be supplied together

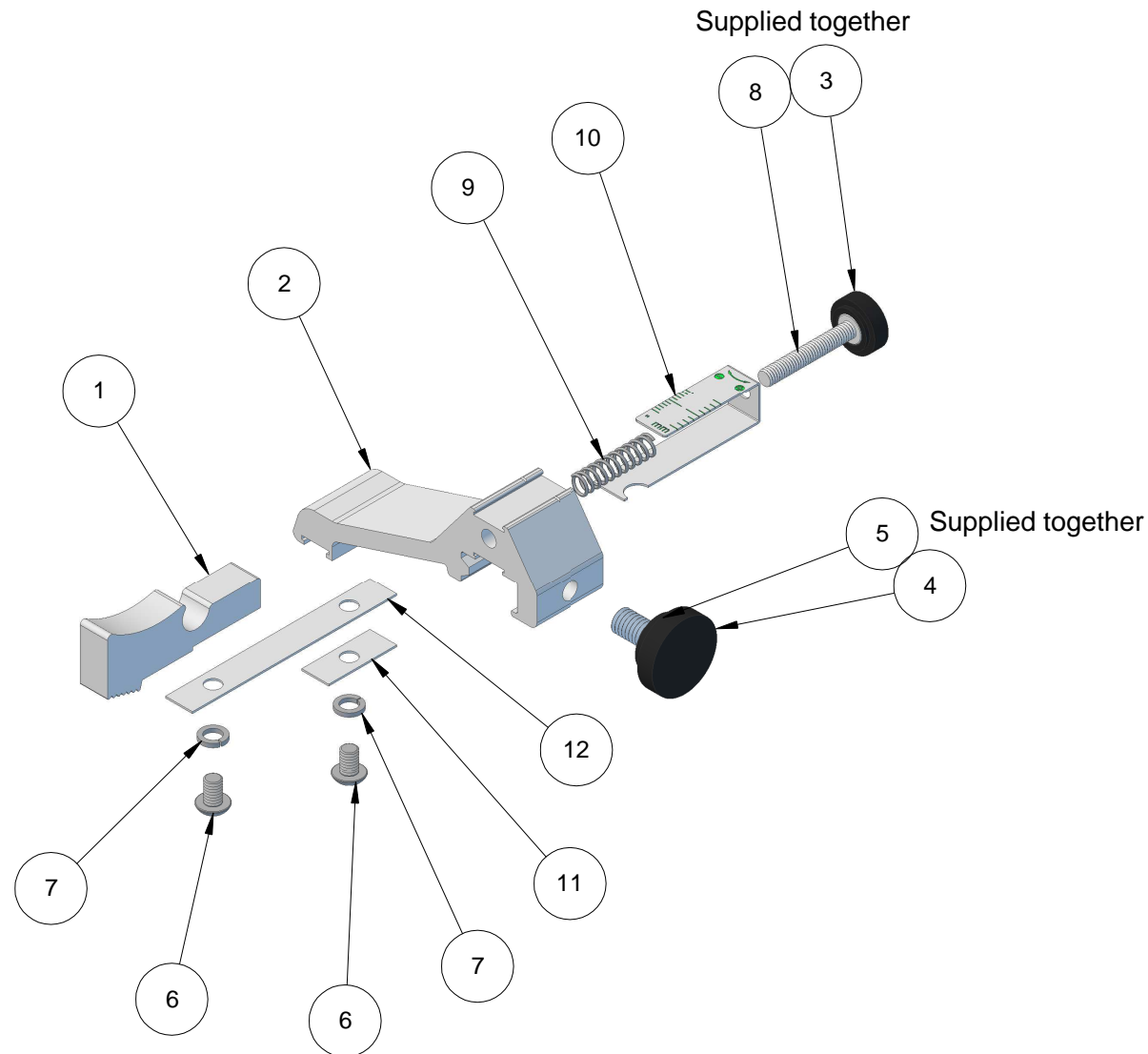


NOTE: SPRING WASHER ORIENTATION IS IMPORTANT.





Item	Qty	Part Name	Description	Comment
1	1	KU21-115	Cursor Block	
2	1	KU21-114	End of Cut Clamp Block	
3	1	KU21-113	End of Cut Block	
4	1	CA75-093	Knoblet	Supplied with 6
5	1	CA75-065	Rubber Bumper	
6	1	CA30-327	Screw	Supplied with 4
7	1	CA30-033	Washer	
8	1	CA30-007	Wingbolt	
9	1	CA25-408	End of Cut Cursor	
10	1	CA25-108	Spring	
11	1	CA25-034	Red Arrow Label	



Item	Qty	Number	Description	Comment
1	1	KU21-121	Start of Cut Finger	
2	1	KU11-114	Start of Cut Arm	
3	1	CA75-093	Knoblet	Supplied with 8
4	1	CA75-009	Knoblet	Supplied with 5
5	1	CA30-191	Nylon Screw	Supplied with 4
6	2	CA30-138	Screw	
7	2	CA30-134	Washer	
8	1	CA30-006	Screw	Suipplied with 3
9	1	CA25-108	Spring	
10	1	CA10-194	Start of Cut Cursor	
11	1	CA10-064	Start of Cut Spring Support	
12	1	CA10-063	Start of Cut Spring	

