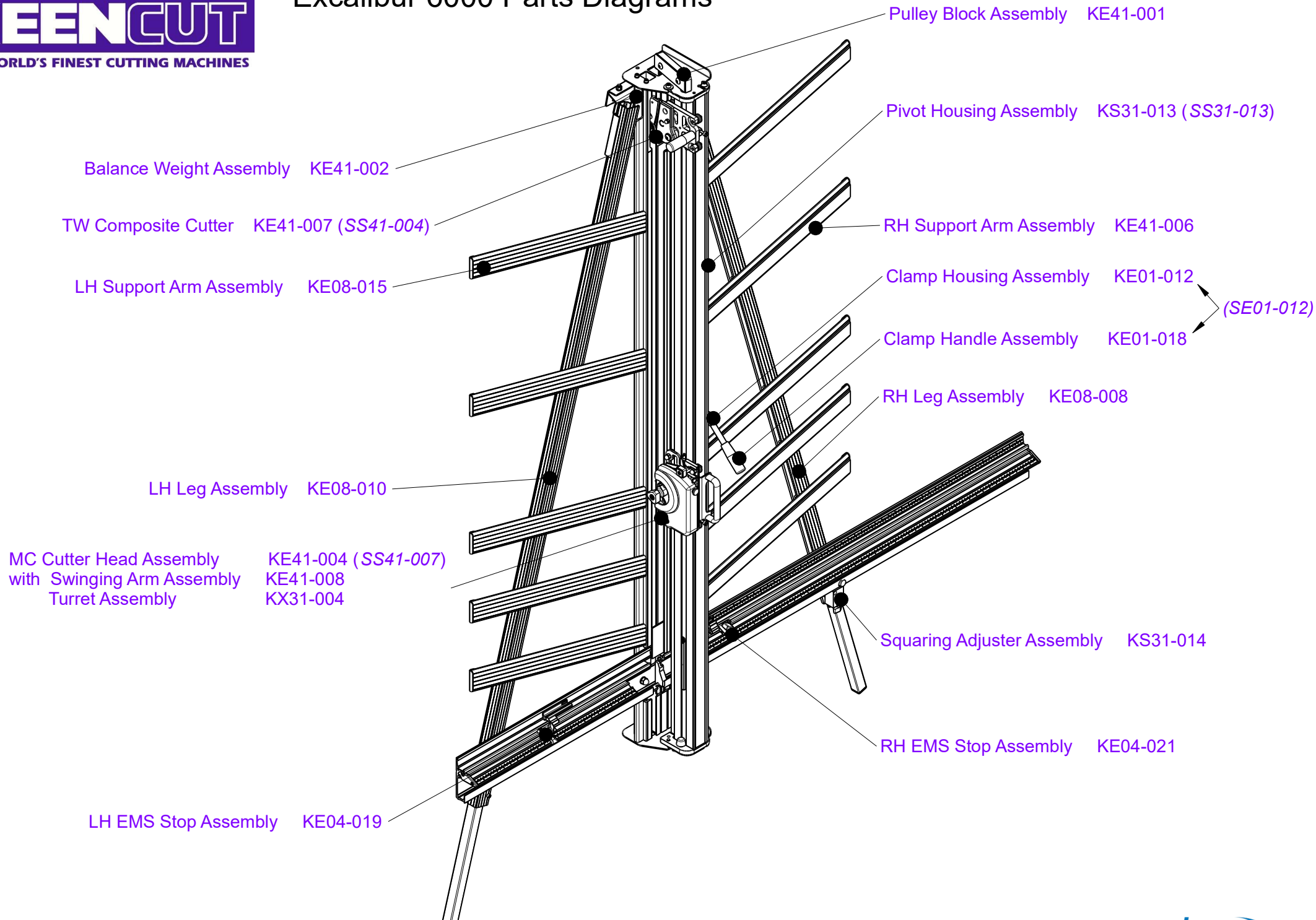


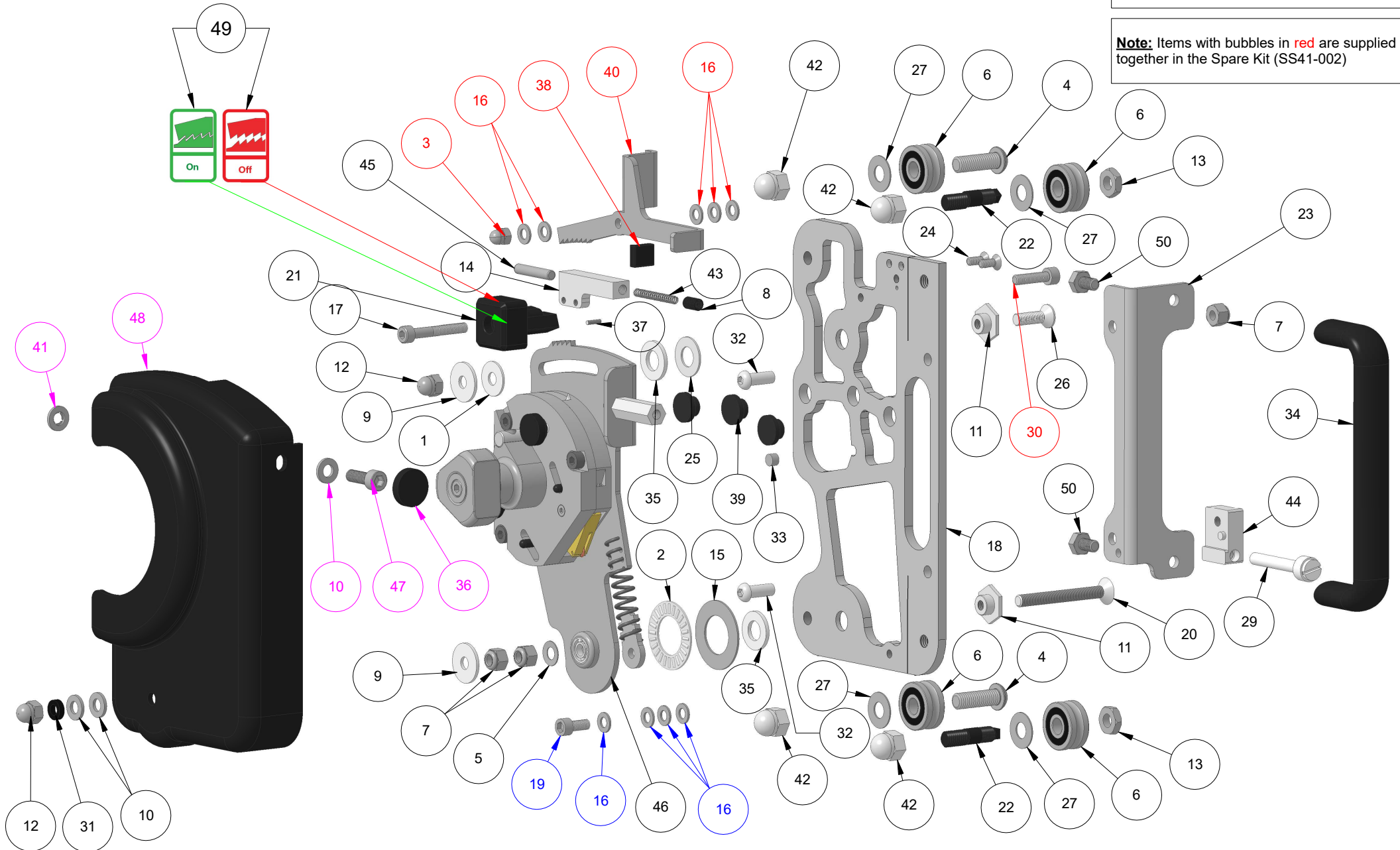
Excalibur 6000 Parts Diagrams



Note: Items with bubbles in **blue** are supplied together in the Spare Kit (SS41-003)

Note: Items with bubbles in **pink** are supplied together in the Spare Kit (SS41-005)

Note: Items with bubbles in **red** are supplied together in the Spare Kit (SS41-002)



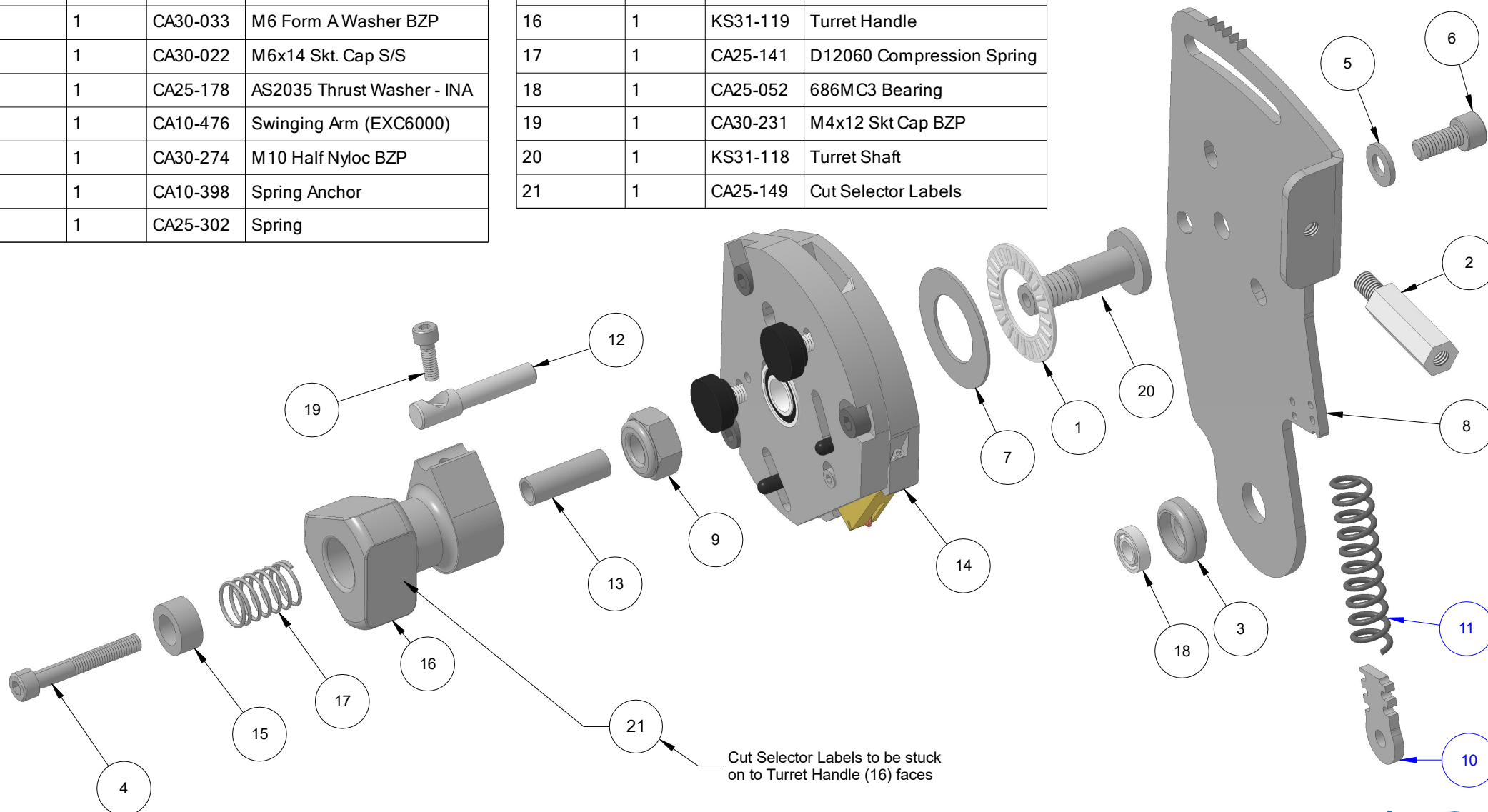
Item No.	Quantity	Code	Description
1	1	CA75-053	Plastic Washer 6.6-17.5/1
2	1	CA25-191	Thrust Bearing AXK 2035
3	1	CA30-258	M5 Dome Nyloc Nut BZP
4	2	CA30-318	M8 x 25 Skt. Button BZP
5	1	CA30-211	Disc Spring (6.2/12.5-0.5)
6	4	CA25-295	Track Roller LFR 50-8
7	3	CA30-023	M6 Metric Thick Nyloc BZP
8	1	CA30-225	M6x10 Skt Set S/Cup PT
9	2	CA30-029	1/4 x 3/4 Mudguard Washer BZP
10	3	CA30-033	M6 Form A Washers BZP
11	2	KE41-104	M6 Press Fit Hex
12	2	CA30-187	M6 Dome Nyloc Nut BZP
13	2	CA25-294b	Eccentric Stud/Nut LFE8-1
14	1	KE41-105	Spring Block
15	1	CA25-178	Thrust Washer AS2035
16	9	CA30-019	M5 Form A ST. Washer BZP
17	1	CA30-303	M5x35 Skt Cap BZP
18	1	KE41-103	Multi-Tool Cutter Plate
19	1	CA30-218	M5 x 12 Skt Cap BZP
20	1	CA30-371	M6 x 55 Csk Skt Head
21	1	KE41-106	Excalibur 6000 Detent Stop
22	2	CA25-294a	Eccentric Stud/Nut LFE8-1
23	1	CA10-470	M/C Head Handle Plate
24	2	CA30-188	M4 x 10 Skt Csk Screw BZP

Item No.	Quantity	Code	Description
25	1	CA30-378	10.2x20x1 Washer
26	1	CA30-183	M6x20 Csk Skt Screw
27	4	CA30-221	Disc Spring (8.2/18-0.7)
29	1	CA30-376	M6 x 40mm Nylon Thumb Screw
30	1	CA30-304	M5x20 Skt Cap BZP
31	1	CA75-023	12 OD X 6 ID X 3mm N/R
32	2	CA30-004	M6x16 Skt Button BZP
33	1	CA75-128	Silicone Grey 6.0 Dia.
34	1	CA75-103	Bridge Handle 236148 M6
35	2	CA30-277	Plastic Washer 10.5-20/2
36	1	CA75-009	M6 Knoblet SSK4 BLK
37	1	CA30-259	M2x8 Coiled Spirol Pin
38	1	CA25-398	Sq. End Flat Sleeve
39	3	KE41-107	Spacer Press Fit
40	1	CA10-472	Ratchet Lever (EXC6000)
41	1	CA75-137	M6 Retaining Washer
42	4	CA30-374	M8 Dome Nuts
43	1	CA25-001	SMC629 Compression Spring
44	1	KE41-110	Position Locking Block (A)
45	1	CA30-375	5mm x 28mm Dowel Pins
46	1	KE41-008	Swinging Arm Assembly
47	1	CA30-015	M6 x 18 Skt Cap
48	1	KE41-117	Multi-Cutter Guard (EXC6000)
49	1	CA25-567	Detent Stop Selector Stickers
50	2	CA30-382	M6 x 8 Hex Head Screw

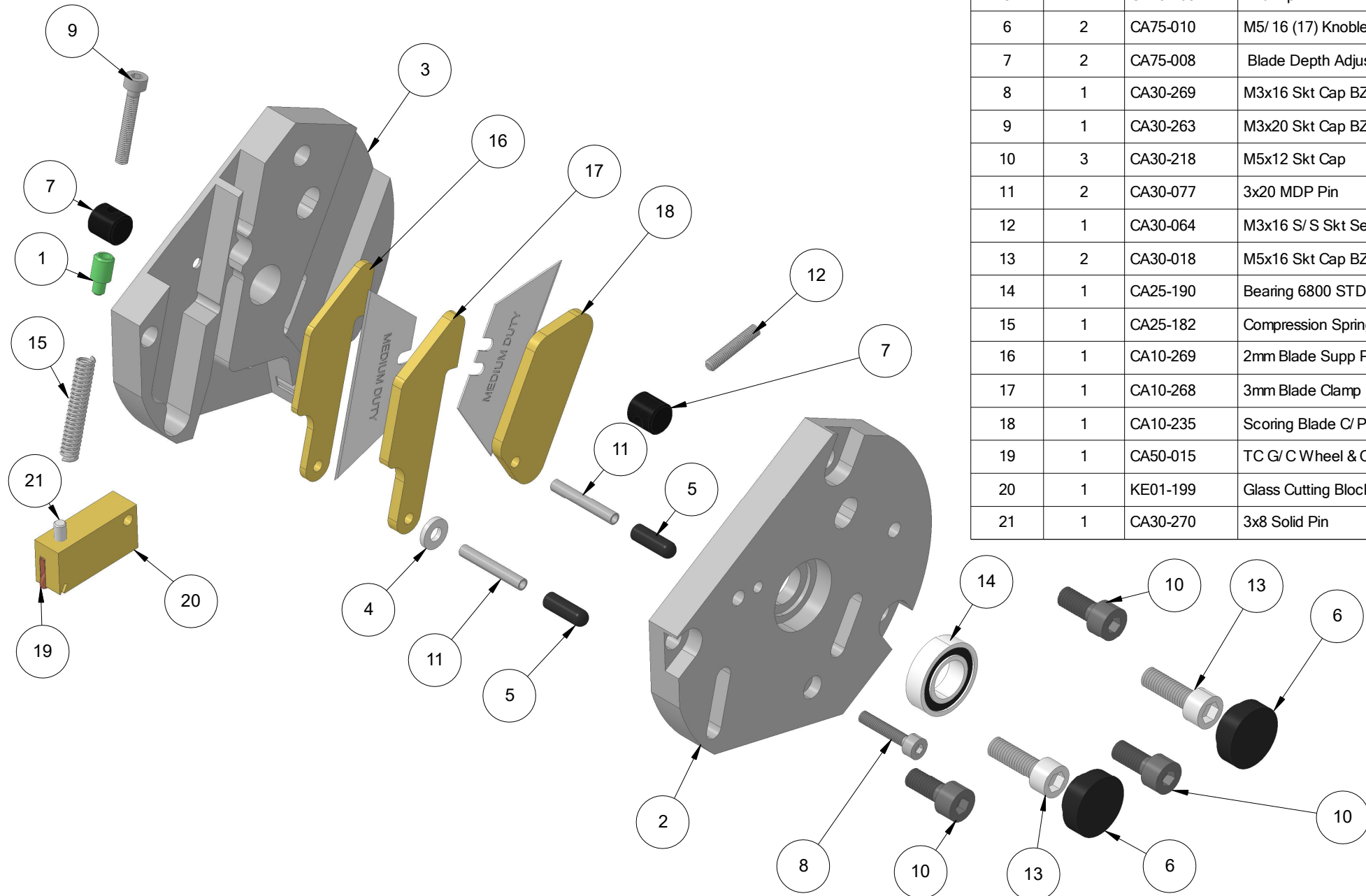
Note: Items in blue are supplied together in the Spare Kit (SS41-003)

Item Number	Quantity	Part Code	Description
1	1	CA25-191	AXK2035 Roller Th/Bearing
2	1	CA30-380	Hex Spacer M6 x 10AF x 30
3	1	KS31-112	Bearing Housing
4	1	CA30-303	M5x35 Skt. Cap BZP
5	1	CA30-033	M6 Form A Washer BZP
6	1	CA30-022	M6x14 Skt. Cap S/S
7	1	CA25-178	AS2035 Thrust Washer - INA
8	1	CA10-476	Swinging Arm (EXC6000)
9	1	CA30-274	M10 Half Nyloc BZP
10	1	CA10-398	Spring Anchor
11	1	CA25-302	Spring

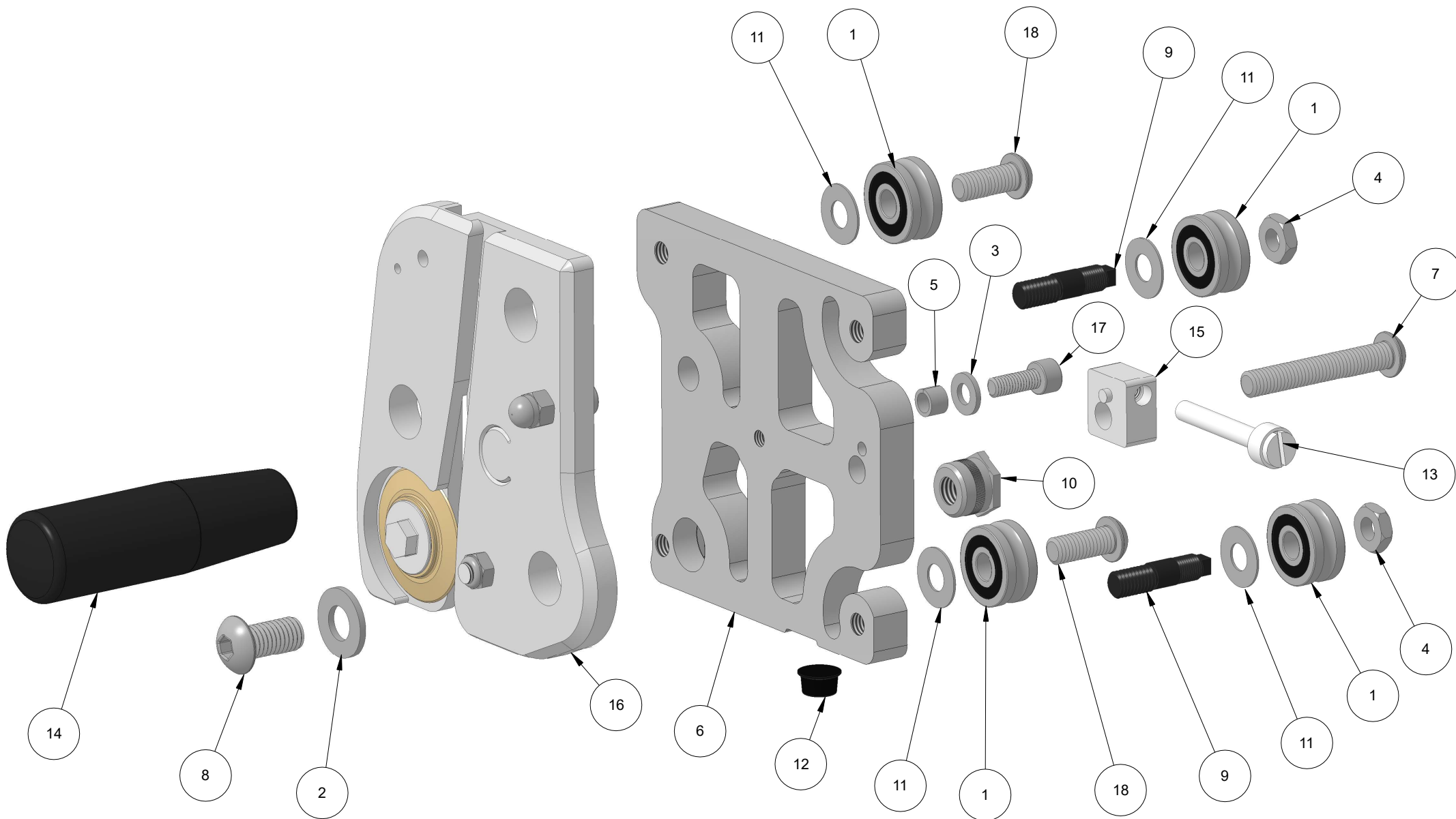
Item Number	Quantity	Part Code	Description
12	1	KE01-194	Turret Pin
13	1	KS31-111	Turret Tube
14	1	KX31-004	Turret Assembly
15	1	KE01-196	Handle Retainer
16	1	KS31-119	Turret Handle
17	1	CA25-141	D12060 Compression Spring
18	1	CA25-052	686MC3 Bearing
19	1	CA30-231	M4x12 Skt Cap BZP
20	1	KS31-118	Turret Shaft
21	1	CA25-149	Cut Selector Labels



Turret Assy KX31-004



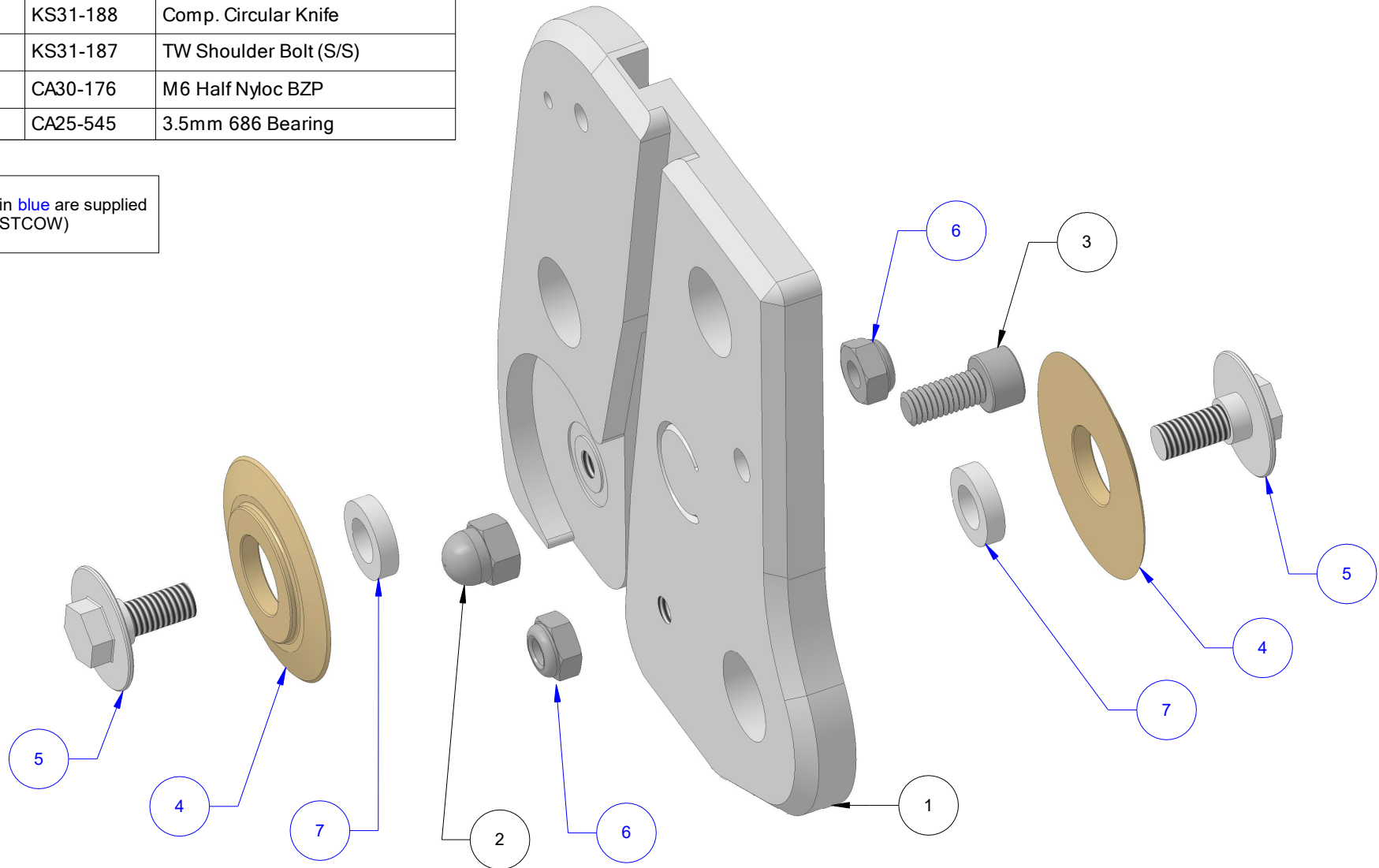
Item No.	Quantity	Part Code	Description
1	1	KE01-214	Spring Anchor
2	1	KE01-198	Turret Lid
3	1	KE01-197	Turret Body
4	1	CA75-121	Plastic Washer
5	2	CA75-105	End Tip
6	2	CA75-010	M5/ 16 (17) Knoblet
7	2	CA75-008	Blade Depth Adjuster Nut
8	1	CA30-269	M3x16 Skt Cap BZP
9	1	CA30-263	M3x20 Skt Cap BZP
10	3	CA30-218	M5x12 Skt Cap
11	2	CA30-077	3x20 MDP Pin
12	1	CA30-064	M3x16 S/ S Skt Set Cup/ Pt
13	2	CA30-018	M5x16 Skt Cap BZP
14	1	CA25-190	Bearing 6800 STD
15	1	CA25-182	Compression Spring
16	1	CA10-269	2mm Blade Supp Plate
17	1	CA10-268	3mm Blade Clamp Plate
18	1	CA10-235	Scoring Blade C/ Plate
19	1	CA50-015	TC G/ C Wheel & Clip
20	1	KE01-199	Glass Cutting Block
21	1	CA30-270	3x8 Solid Pin



Item No.	Quantity	Part Code	Description
1	4	CA25-295	Track Roller LFR 50-8
2	1	CA30-054	M10 Form A Washers BZP
3	1	CA30-033	M6 Form A Washers BZP
4	2	CA25-294b	Eccentric Stud/Nut LFE8-1
5	1	CA25-354	6 IDx6 Split Spacer Tube
6	1	KE41-101	Twin Wheel Cutter Plate
7	1	CA30-328	M8 x 50 Skt Button BZP
8	1	CA30-307	M10 x 20 Skt. Button BZP
9	2	CA25-294a	Eccentric Stud/Nut LFE8-1
10	1	KE41-102	Threaded Insert
11	4	CA30-221	Disc Spring (8.2/18-0.7)
12	1	CA75-065	S/A Rubber Bumpers
13	1	CA30-376	M6 x 40mm Nylon Thumb Screw
14	1	CA75-064	M8 BC 88mm Handle
15	1	KE41-111	Position Locking Block (B)
16	1	SS41-004 (KE41-007)	EXC6000 TW Comp Cutter
17	1	CA30-046	M6 x 16 Skt Caps
18	2	CA30-381	M8 x 20 Skt Button Screw

Item Number	Quantity	Part Code	Description
1	1	KS31-122	Comp. Wheel Carrier G21
2	1	CA30-187	M6 Domed Nyloc Nuts
3	1	CA30-022	M6x14 Metric Skt Caps S/S
4	2	KS31-188	Comp. Circular Knife
5	2	KS31-187	TW Shoulder Bolt (S/S)
6	2	CA30-176	M6 Half Nyloc BZP
7	2	CA25-545	3.5mm 686 Bearing

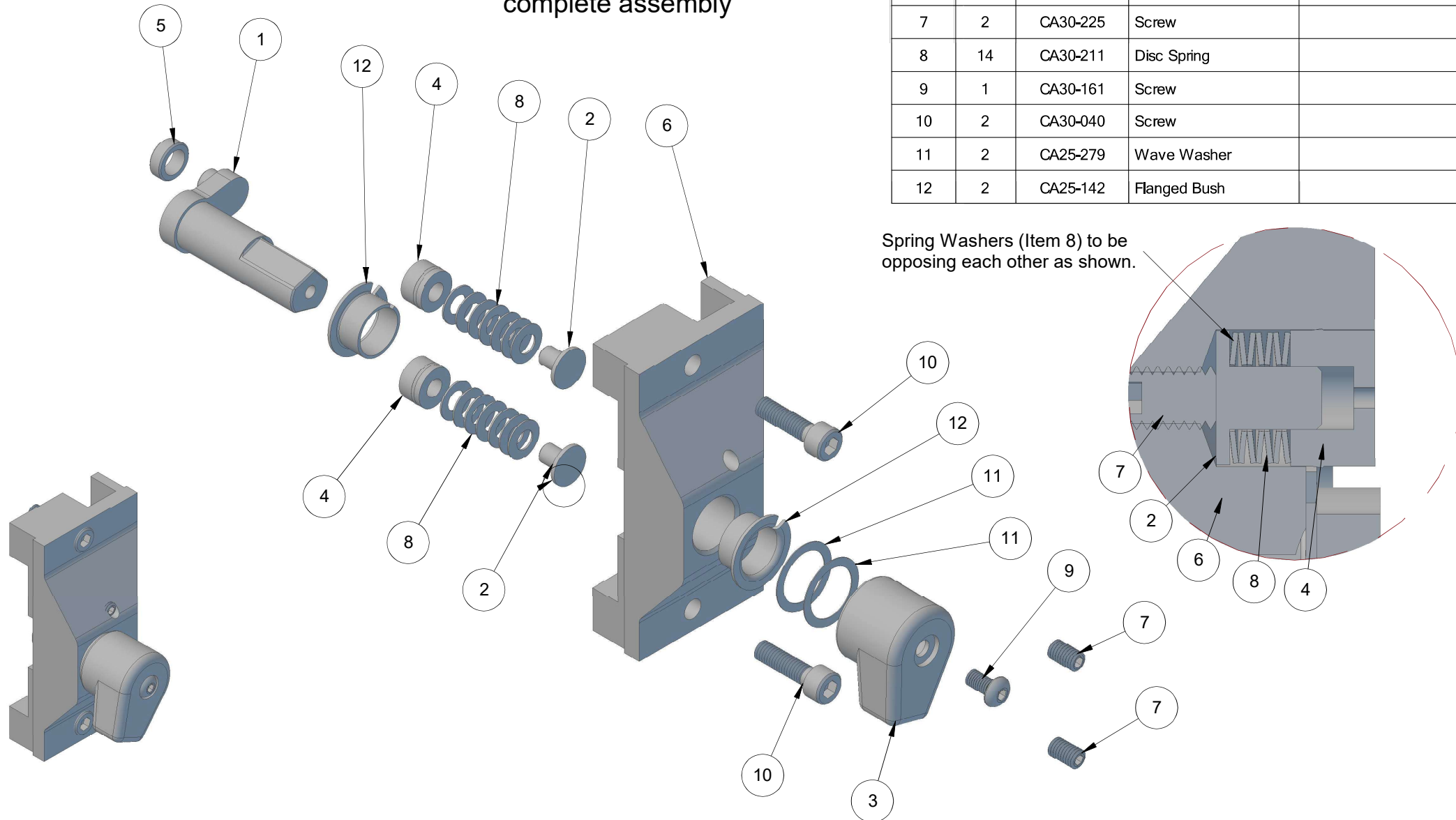
Note: Items with bubbles in blue are supplied together in the Spare Kit (STCOW)



Clamp Housing Assembly

KE01-012 (part of Sales Code SE01-012)

NOTE: Usually supplied as a complete assembly

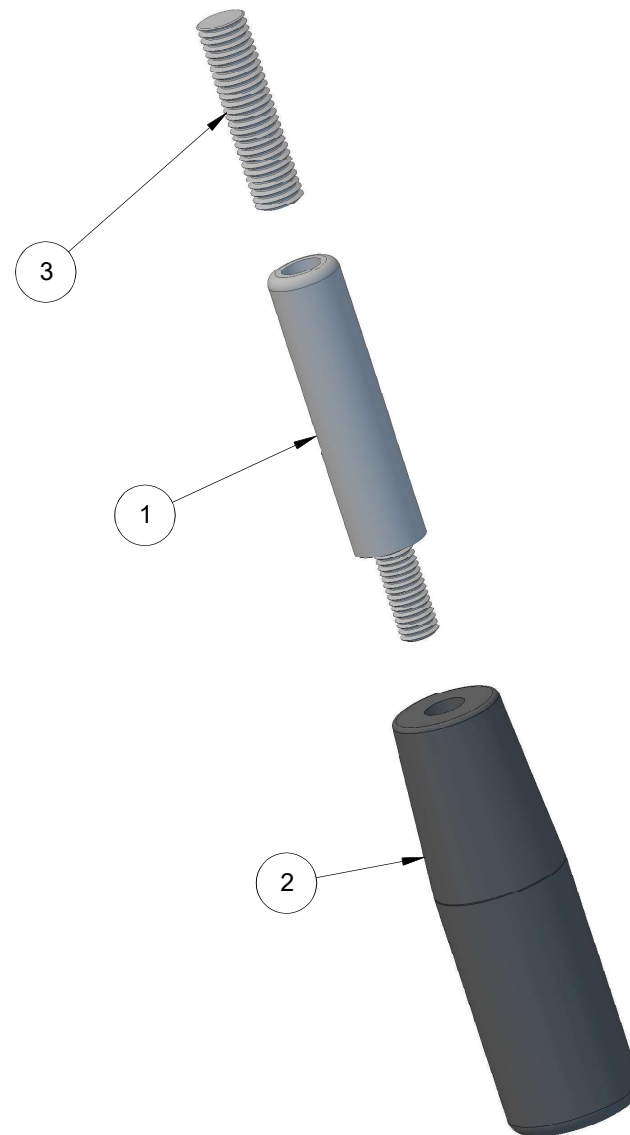


Spring Washers (Item 8) to be opposing each other as shown.

Clamp Handle Assembly

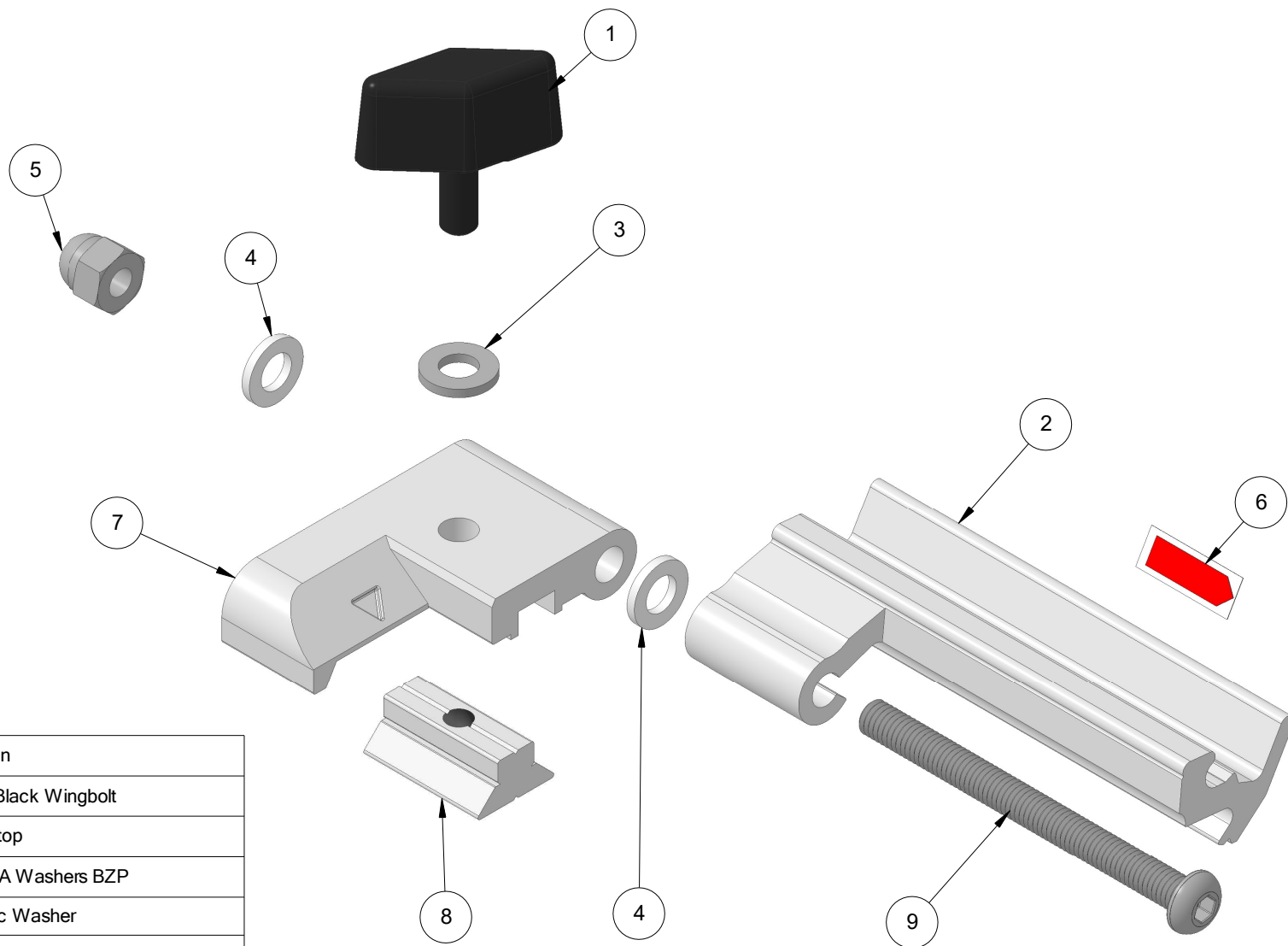
KE01-018 (part of Sales Code SE01-012)

Item	Qty	Code	Description	Comment
1	1	KE01-134	Handle Lever	
2	1	CA75-064	Handle	
3	1	CA30-172	Screw	



KE04-019

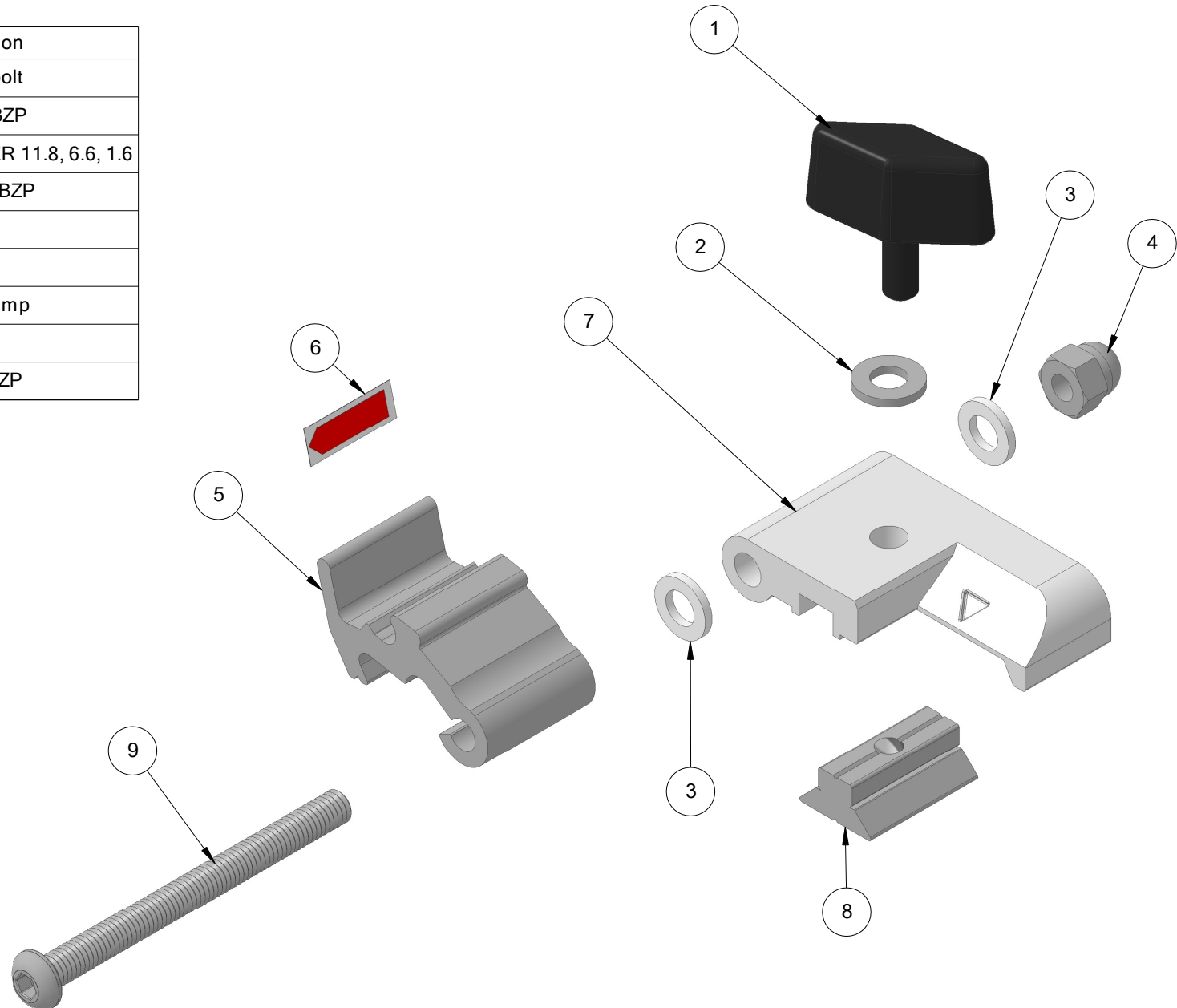
LH Squaring Arm Stop Assy



Item Number	Quantity	Part Code	Description
1	1	CA30-007	M6 x 15 Black Wingbolt
2	1	KE01-128	LH Flip Stop
3	1	CA30-033	M6 Form A Washers BZP
4	2	CA75-013	M6 Plastic Washer
5	1	CA30-187	M6 Dome Nyloc Nut BZP
6	1	CA25-034	Red Arrow Label
7	1	KE04-234	3DP RH Flip Stop Clamp
8	1	KL01-166	25mm Groove Block
9	1	CA30-334	M6 x 70 Skt Button BZP

KE04-021 RH EMS Stop Assy

Item Number	Quantity	Part Code	Description
1	1	CA30-007	M6 x 15 Black Wingbolt
2	1	CA30-033	M6 Form A Washer BZP
3	2	CA75-013	M6 PLASTIC WASHER 11.8, 6.6, 1.6
4	1	CA30-187	M6 Dome Nyloc Nut BZP
5	1	KE01-129	RH Flip Stop
6	1	CA25-034	Red Arrow Label
7	1	KE04-237	3DP LH Flip Stop Clamp
8	1	KL01-166	25mm Groove Block
9	1	CA30-334	M6 x 70 Skt Button BZP

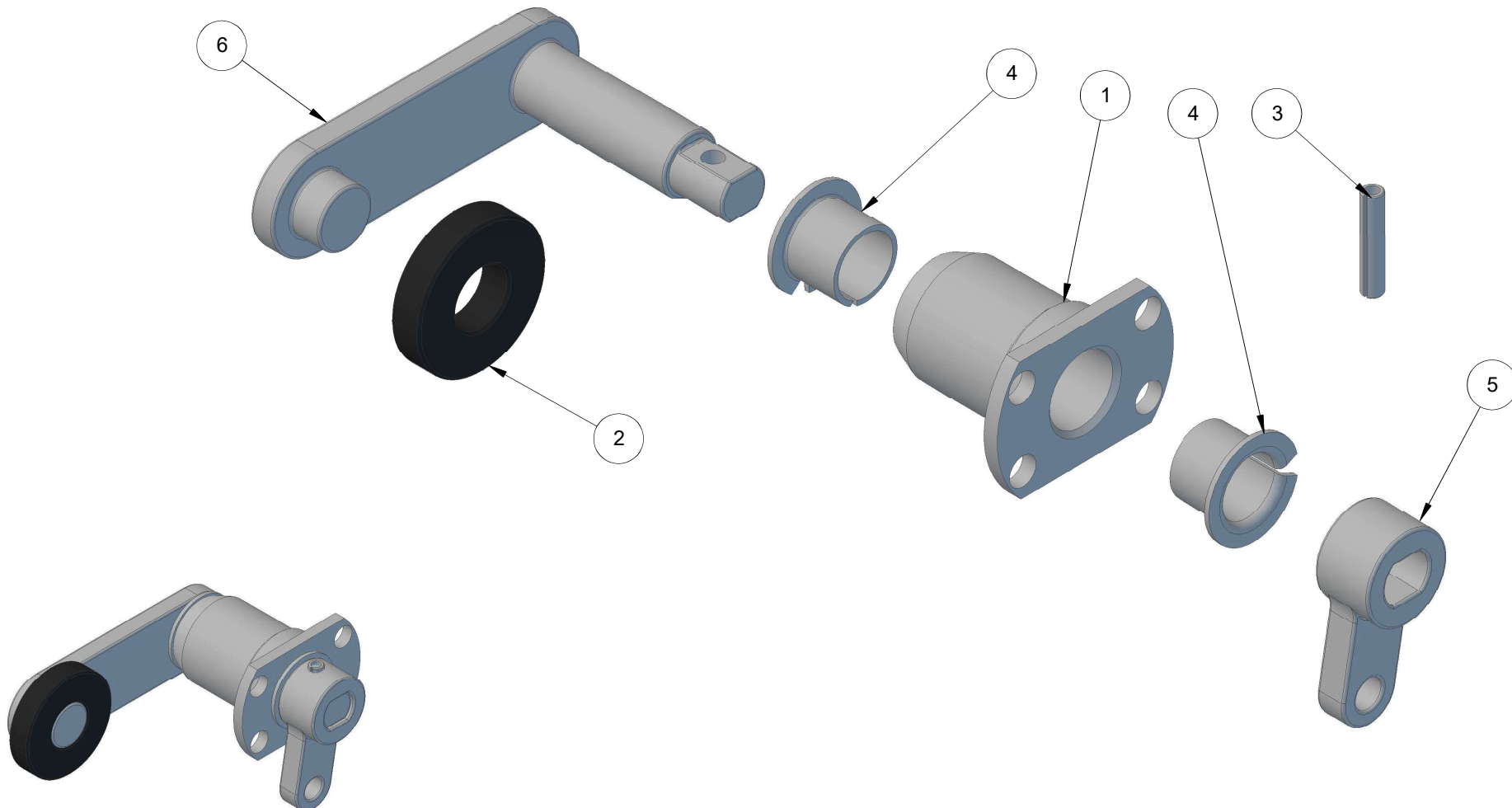


Pivot Housing Assembly

KS31-013 (Sales Code SS31-013)

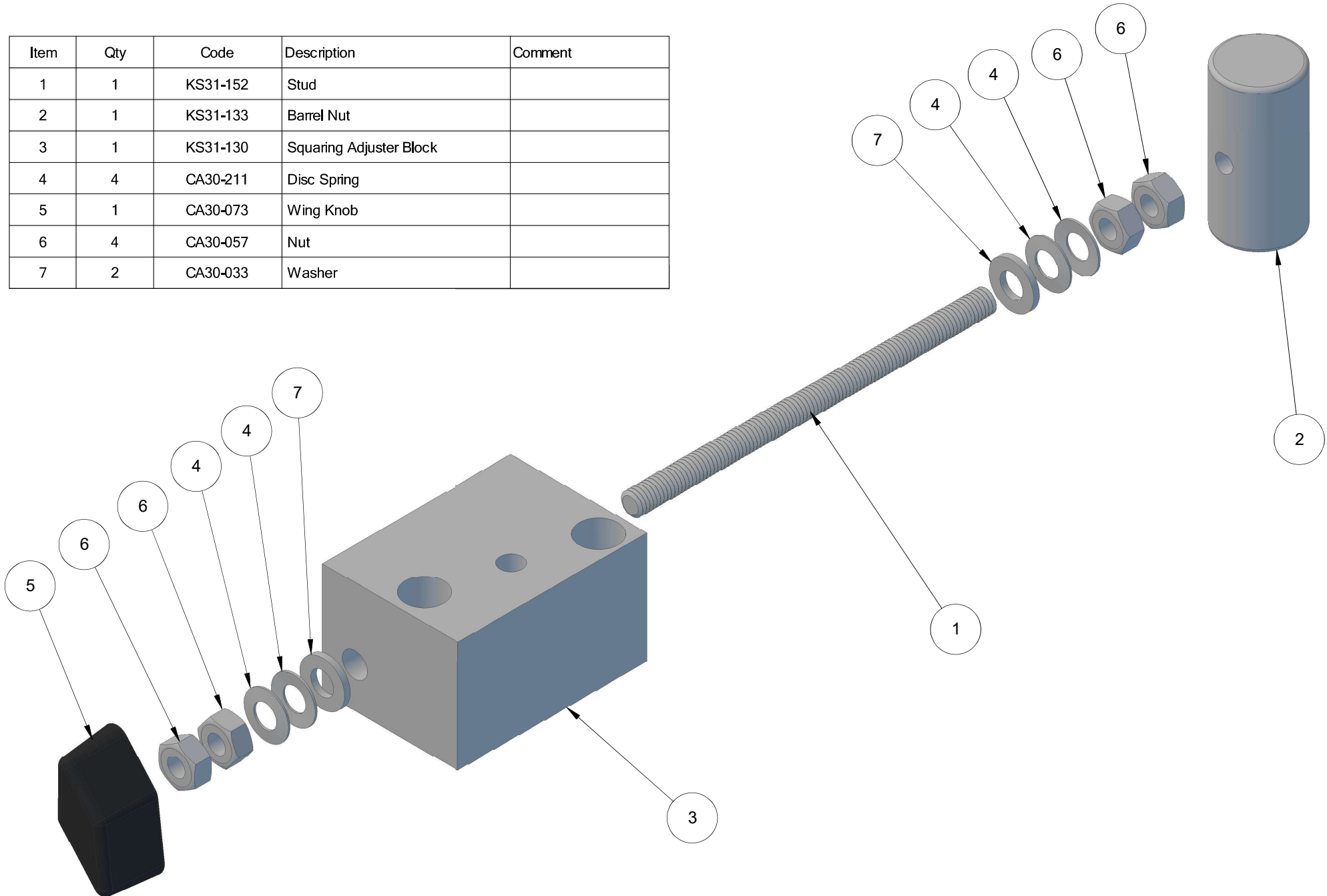
Item	Qty	Code	Description	Comment
1	1	KE01-109	Pivot Housing	
2	1	KE01-103	Clamp Lever Roller	See Note
3	1	CA30-227	Pin	
4	2	CA25-125	Flanged Bush	
5	1	CA10-219	Clamp Lever	
6	1	CA10-218	Crank Arm	

NOTE: Only item 2 is the only part that can be supplied individually, otherwise all parts supplied as a complete assembly

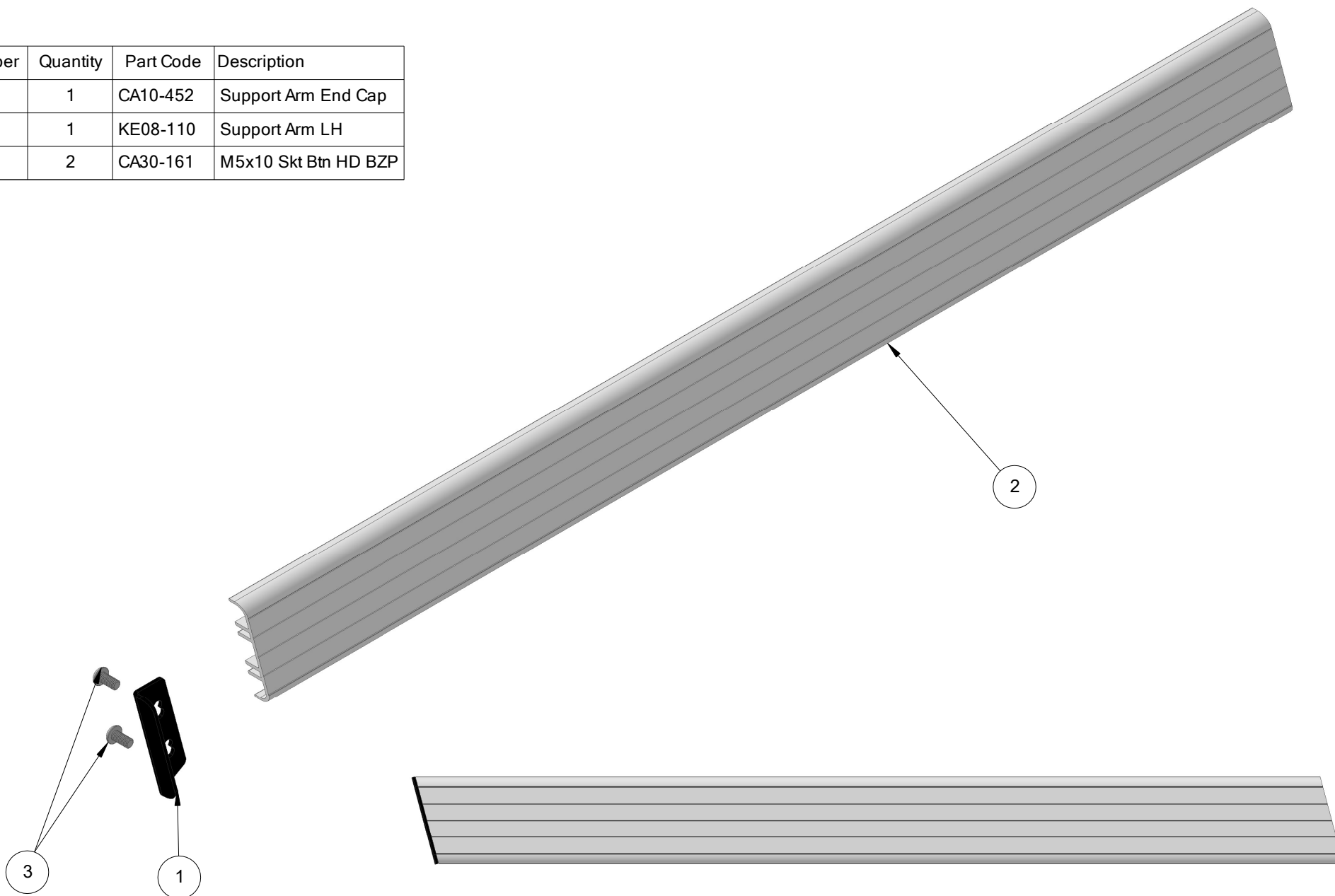


Squaring Adjuster Assembly KS31-014

Item	Qty	Code	Description	Comment
1	1	KS31-152	Stud	
2	1	KS31-133	Barrel Nut	
3	1	KS31-130	Squaring Adjuster Block	
4	4	CA30-211	Disc Spring	
5	1	CA30-073	Wing Knob	
6	4	CA30-057	Nut	
7	2	CA30-033	Washer	



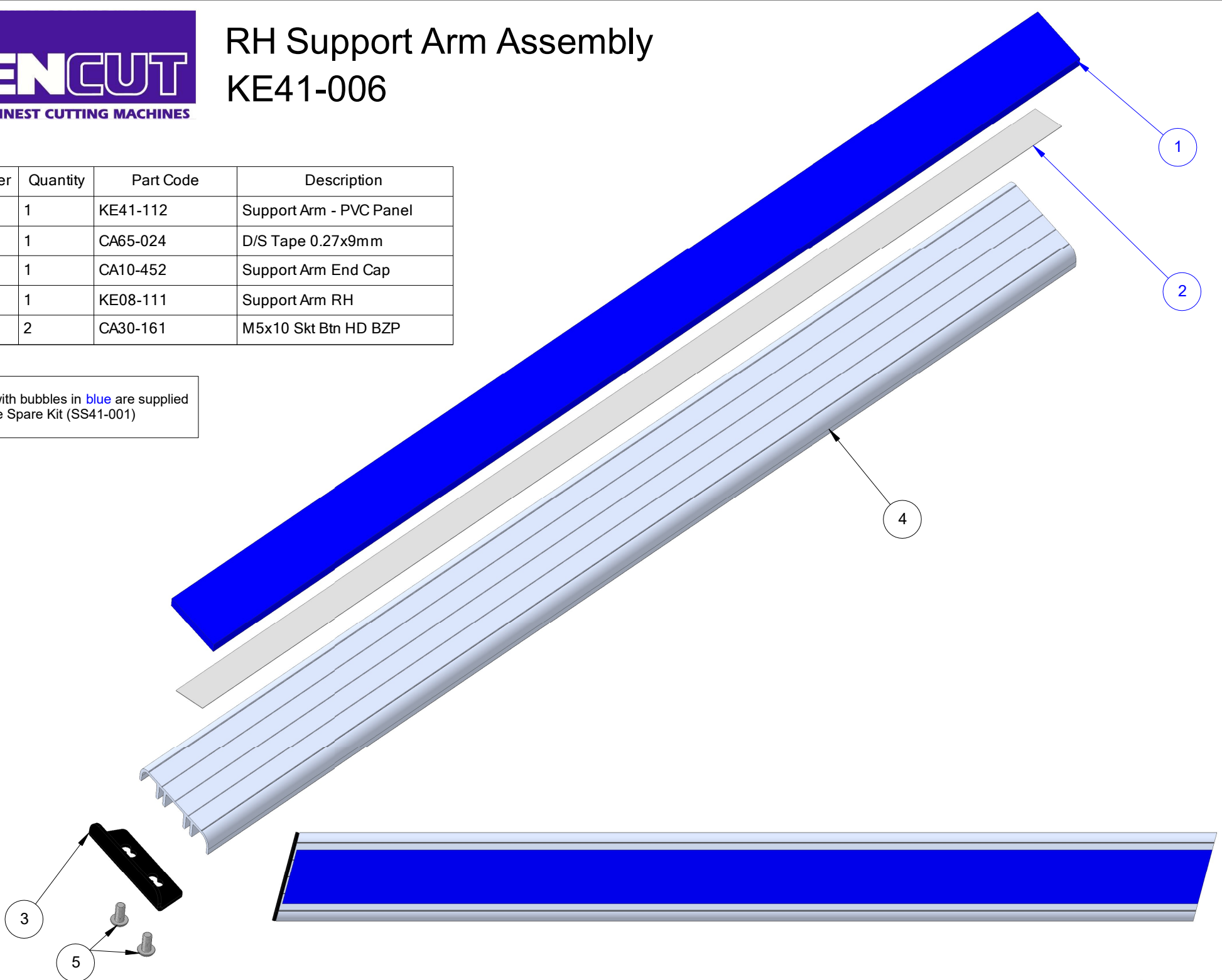
Item Number	Quantity	Part Code	Description
1	1	CA10-452	Support Arm End Cap
2	1	KE08-110	Support Arm LH
3	2	CA30-161	M5x10 Skt Btn HD BZP



RH Support Arm Assembly KE41-006

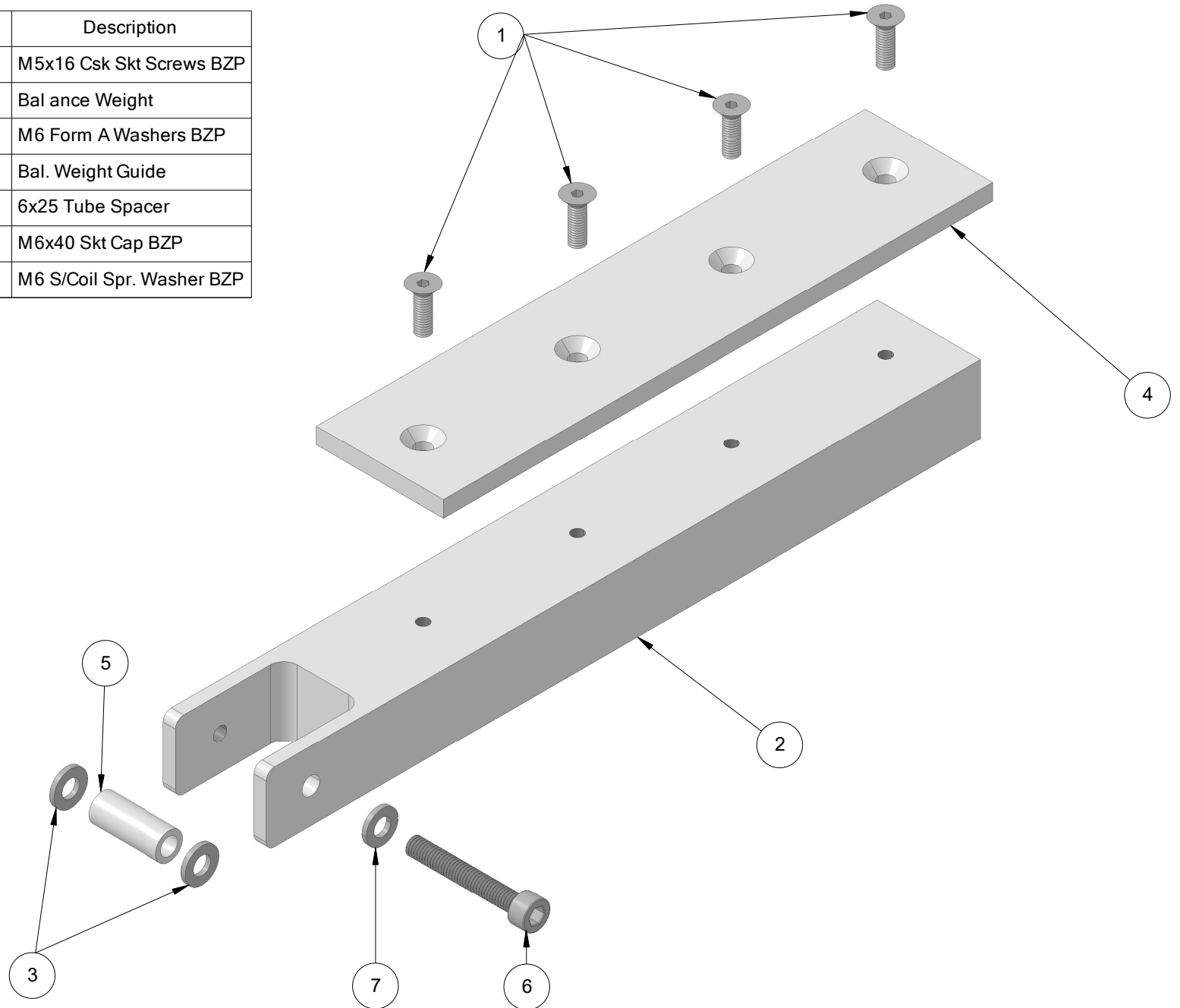
Item Number	Quantity	Part Code	Description
1	1	KE41-112	Support Arm - PVC Panel
2	1	CA65-024	D/S Tape 0.27x9mm
3	1	CA10-452	Support Arm End Cap
4	1	KE08-111	Support Arm RH
5	2	CA30-161	M5x10 Skt Btn HD BZP

Note: Items with bubbles in blue are supplied together in the Spare Kit (SS41-001)



Balance Weight Assembly KE41-002

Item Number	Quantity	Part Code	Description
1	4	CA30-117	M5x16 Csk Skt Screws BZP
2	1	KE08-106	Bal ance Weight
3	2	CA30-033	M6 Form A Washers BZP
4	1	KE08-107	Bal. Weight Guide
5	1	CA25-358	6x25 Tube Spacer
6	1	CA30-306	M6x40 Skt Cap BZP
7	1	CA30-075	M6 S/Coil Spr. Washer BZP

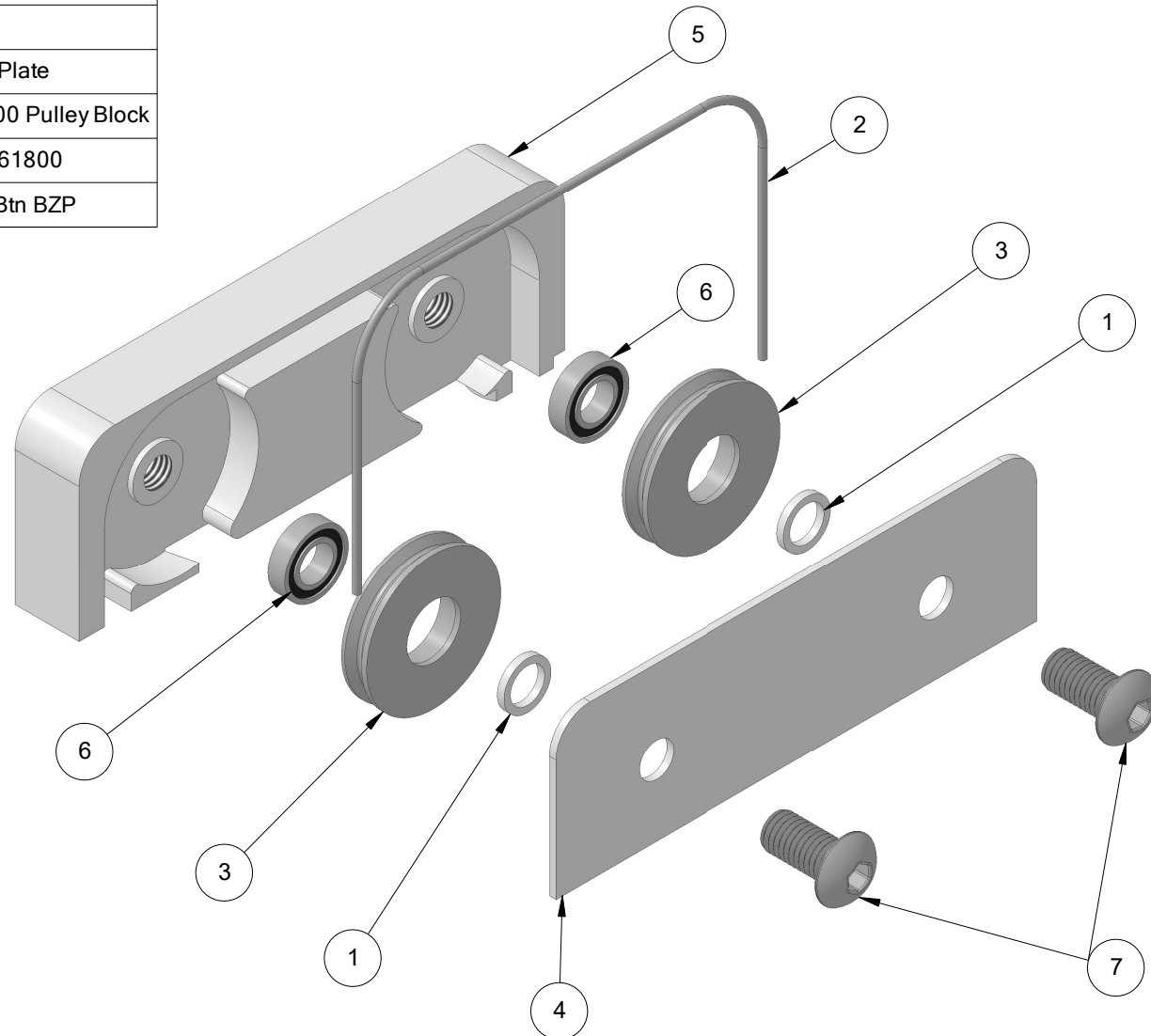


Pulley Block Assembly

KE41-001

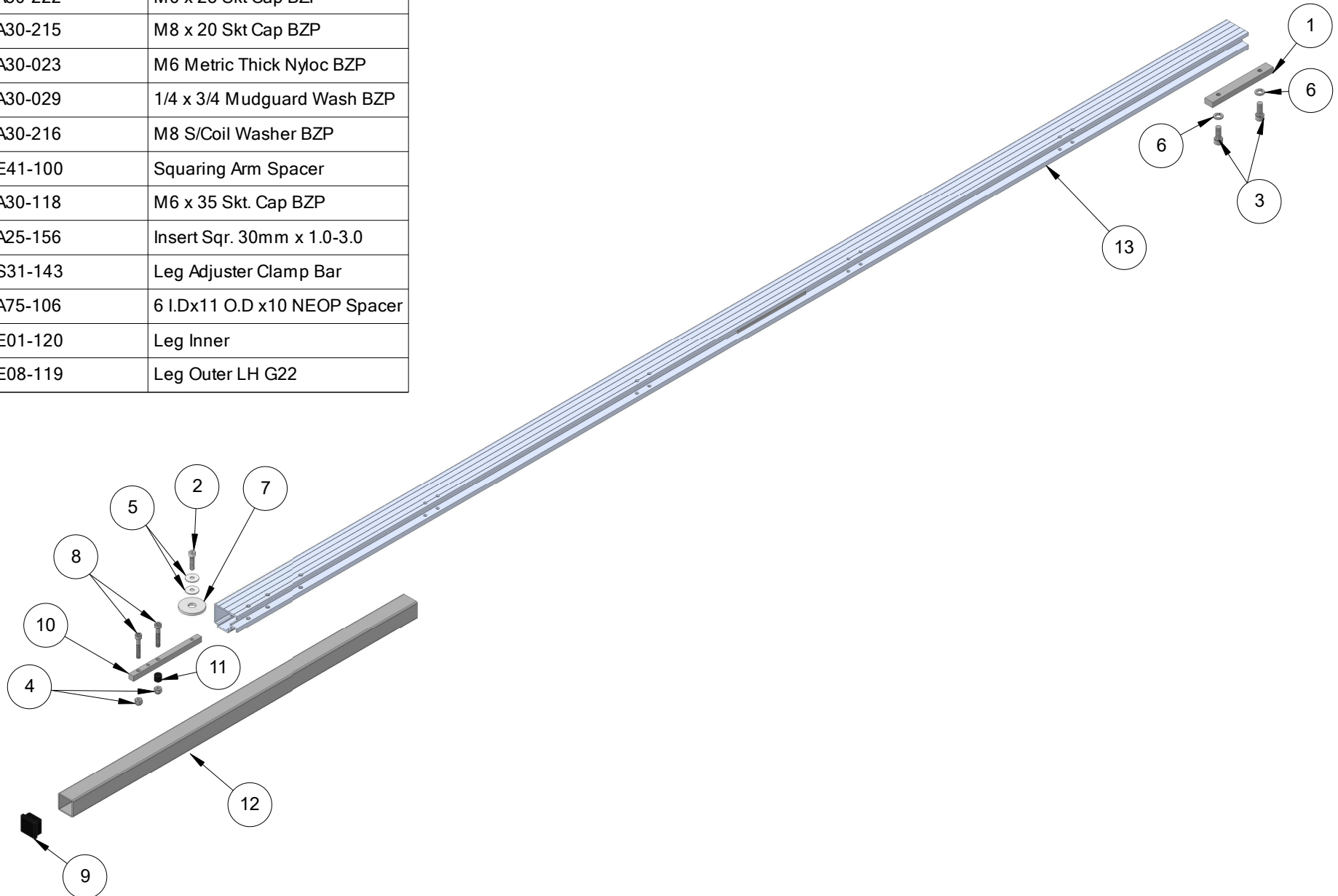
Item Number	Quantity	Part Code	Description
1	2	KS31-166	Spacer 10.2-14-2
2	1	KE42-004	Balance Cord Assembly
3	2	KS31-109	Pulley
4	1	CA10-471	Pulley Cover Plate
5	1	KE41-108	Excalibur 6000 Pulley Block
6	2	CA25-190	Ball Bearing 61800
7	2	CA30-307	M10x20 Skt Btn BZP

← Not Included in assembly



LH Leg Assembly KE08-010

Item Number	Quantity	Part Code	Description
1	1	KE01-122	Leg Clamping Bar (Upper)
2	1	CA30-222	M6 x 25 Skt Cap BZP
3	2	CA30-215	M8 x 20 Skt Cap BZP
4	2	CA30-023	M6 Metric Thick Nyloc BZP
5	2	CA30-029	1/4 x 3/4 Mudguard Wash BZP
6	2	CA30-216	M8 S/Coil Washer BZP
7	1	KE41-100	Squaring Arm Spacer
8	2	CA30-118	M6 x 35 Skt. Cap BZP
9	1	CA25-156	Insert Sqr. 30mm x 1.0-3.0
10	2	KS31-143	Leg Adjuster Clamp Bar
11	1	CA75-106	6 I.Dx11 O.D x10 NEOP Spacer
12	1	KE01-120	Leg Inner
13	1	KE08-119	Leg Outer LH G22



Item Number	Quantity	Part Code	Description
1	1	KE01-122	Leg Clamping Bar (Upper)
2	2	CA30-118	M6 x 35 Skt. Cap BZP
3	1	CA30-222	M6 x 25 Skt Cap BZP
4	2	CA30-216	M8 S/Coil Washer BZP
5	2	CA30-215	M8 x 20 Skt Cap BZP
6	2	CA30-023	M6 Metric Thick Nyloc BZP
7	2	CA30-029	1/4 x 3/4 Mudguard Wash BZP
8	1	KE41-100	Squaring Arm Spacer
9	1	CA25-156	Insert Sqr. 30mm x 1.0-3.0
10	1	KS31-143	Leg Adjuster Clamp Bar
11	1	CA75-106	6 I.Dx11 O.Dx10 NEOP Spacer
12	1	KE01-120	Leg Inner
13	1	KE08-123	Leg Outer RH G22

